

Linx SureClean®

LINX

Automatic printhead
wash station



Eliminate unplanned downtime
with thorough, safe, consistent cleaning

Linx SureClean®

Eliminate unplanned downtime with automatic printhead cleaning.

- 1 Insert the printhead and select the wash cycle
- 2 SureClean cleans the printhead with 11 precisely positioned jets
- 3 SureClean dries the printhead to prevent faults



See how SureClean works



Eliminate unplanned downtime

Thorough printhead cleaning

Ink build-up on the printhead is a leading cause of CIJ printer downtime. Linx SureClean uses precisely positioned jets and a fan to clean and dry critical printhead components thoroughly and consistently, helping prevent unplanned stoppages.



Never forget to clean

Customisable reminders

Set cleaning intervals, on your Linx 9000 Series printer, to suit your application and to minimise waste. Fit cleaning into your schedule to prevent stoppages caused by dirty printheads, with reminders based on running hours or calendar days.



Adjustable wash intensity

Three wash modes

The SureClean wash station has three wash modes for different situations:
Light – for daily cleaning or very little ink build-up
Standard – for regular proactive cleaning
Recovery – for heavier ink build-up



One wash station, clean multiple printers

Portable device

Easily move the SureClean wash station on its wheeled stand to clean multiple printers. Lightweight and portable, it offers both mains and battery power options for flexible use.



No training required

Simple operation

Empower any operator to clean the printhead at the push of a button, with no training required; simply follow the step-by-step instructions on the printer interface.



Improve operator safety

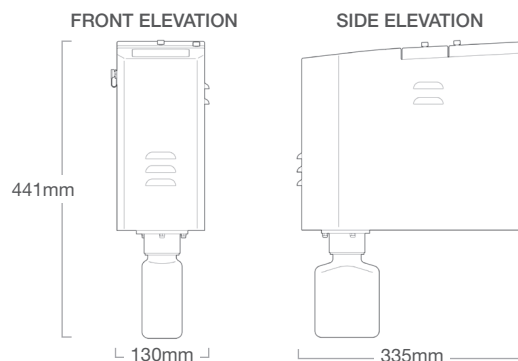
Remove manual cleaning

Unlike manual cleaning, Linx SureClean's enclosed unit eliminates operator contact with cleaning fluid, ensuring safe and simple use. It also uses the precise amount of fluid required, reducing waste compared to manual methods.

Linx SureClean®

Automatic printhead wash station

Technical Specifications



HARDWARE FEATURES	Ergonomic design for easy printhead insertion and one-touch cleaning process start
	Easy select wash cycle, Single-press start and stop wash
	Memory of previously used wash cycle
	LED indicators showing cycle status, battery status (if applicable), cleaning fluid cartridge empty and waste bottle needs replacing
SOFTWARE FEATURES	Guided wizard for SureClean operation on the Linx 9000 Series printer screen
AVERAGE CLEANING CYCLE TIME	<5 minutes
PRINTER COMPATIBILITY	Linx 9000 Series, Linx 8000 Series
PRINthead COMPATIBILITY	MK11 Mini, MK11 Midi, MK11 Midi Plus straight printheads
COMPATIBLE INK TYPES	Dye based, Soft pigmented, Hard pigmented blacks, whites and colours
CLEANING FLUID	Mess-free 0.5 litre cleaning fluid cartridge
	0.5 litre empty bottle for waste collection
ENCLOSURE	Stainless steel
ENVIRONMENTAL PROTECTION RATING	Designed to IP23 (Cabinet), IP54 (Electronics enclosure)
MOUNTING OPTIONS	Wheeled floor stand, Tabletop stand, Bracket for shelf or cabinet mounting*
POWER CONSUMPTION	12W (typical when washing)
POWER SUPPLY	24V wall plug
	Integrated rechargeable Lithium-ion battery (option) Typical number of cleans on battery power - 30 Typical battery recharge time - 4.5 hours
WEIGHT	5kg (without fluids or mount)
REGULATORY APPROVALS	UL

*Cabinet mounting bracket unavailable in Japan

Global Sales

+44 (0)1480 302100
sales@linxglobal.com

UK Sales

+44 (0)1480 775 223
uksales@linx.co.uk

France Sales

+33 1 72 07 17 05
info@linx.fr

China Sales

021-80504700
chinasales@linxglobal.com

